

THIS DRAWING IS UNPUBLISHED. RELEASED FOR PUBLICATION FEB. 2003.  
 © COPYRIGHT 2003 By - ALL RIGHTS RESERVED.

LOC	DIST	REVISIONS					
		P	LTR	DESCRIPTION	DATE	DWN	APVD
J	00		C1	REVISED PER ECO-11-005033	24MAR11	RK	HMR

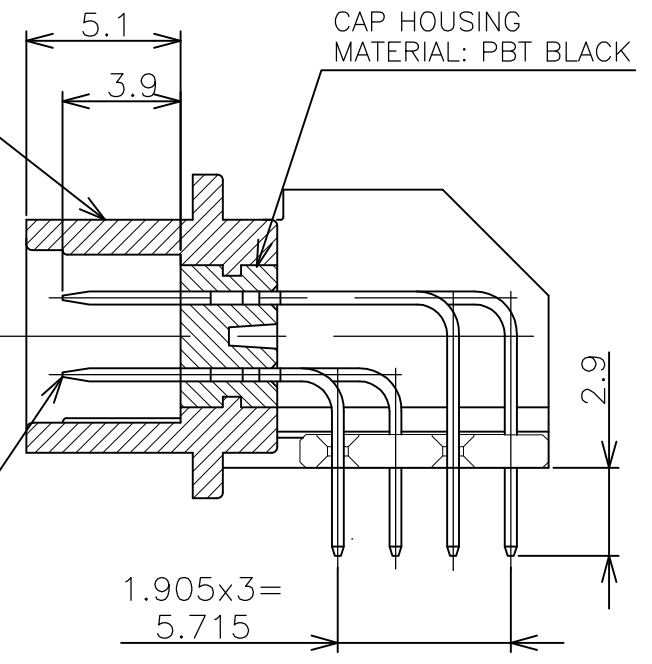
TINE PLATE  
 MATERIAL : PBT (BLACK)

CAP SHIELD  
 MATERIAL: ZINC  
 FINISH: NICKEL OVER COPPER

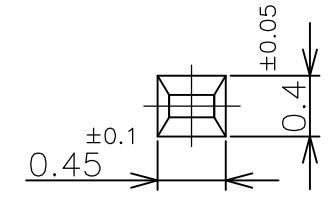
CAP HOUSING  
 MATERIAL: PBT BLACK

POST CONTACT  
 MATERIAL : PHOS BRONZE  
 FINISH : GOLD (CONTACT AREA)  
 TIN (SOLDER TINE AREA)  
 WITH ENTIRE CONTACT  
 UNDER PLATED NIKKEL

50POS (-4) ONLY

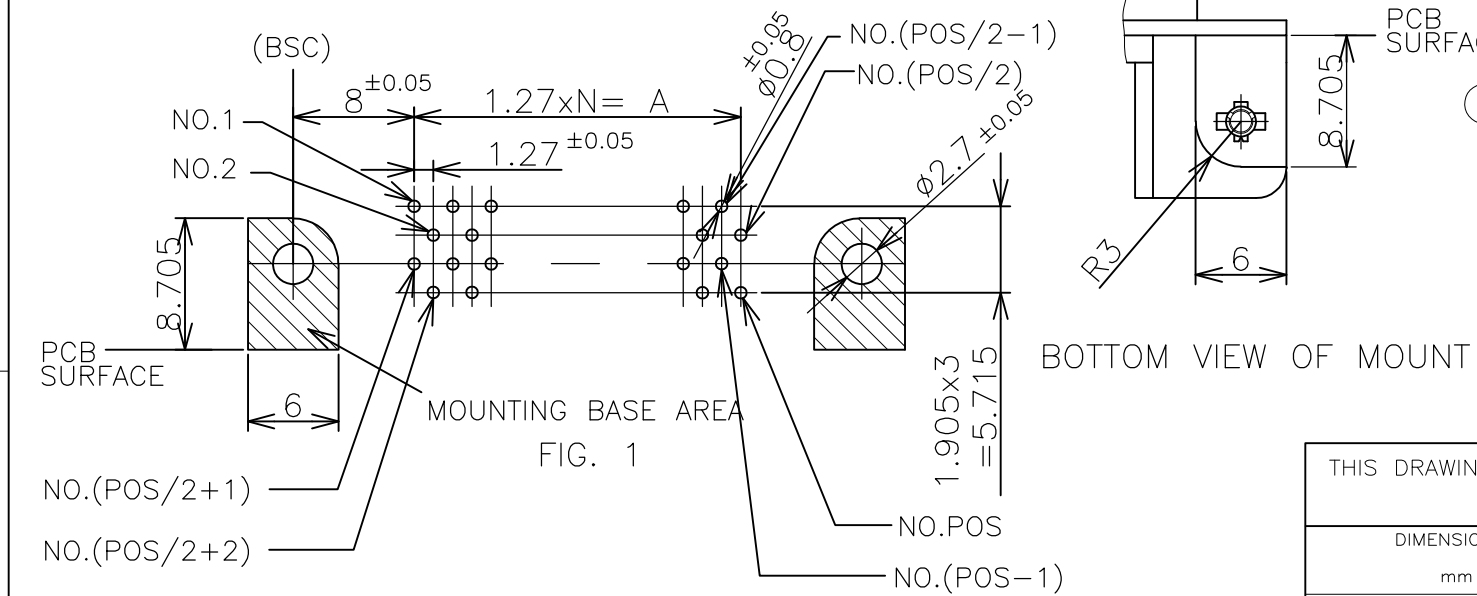
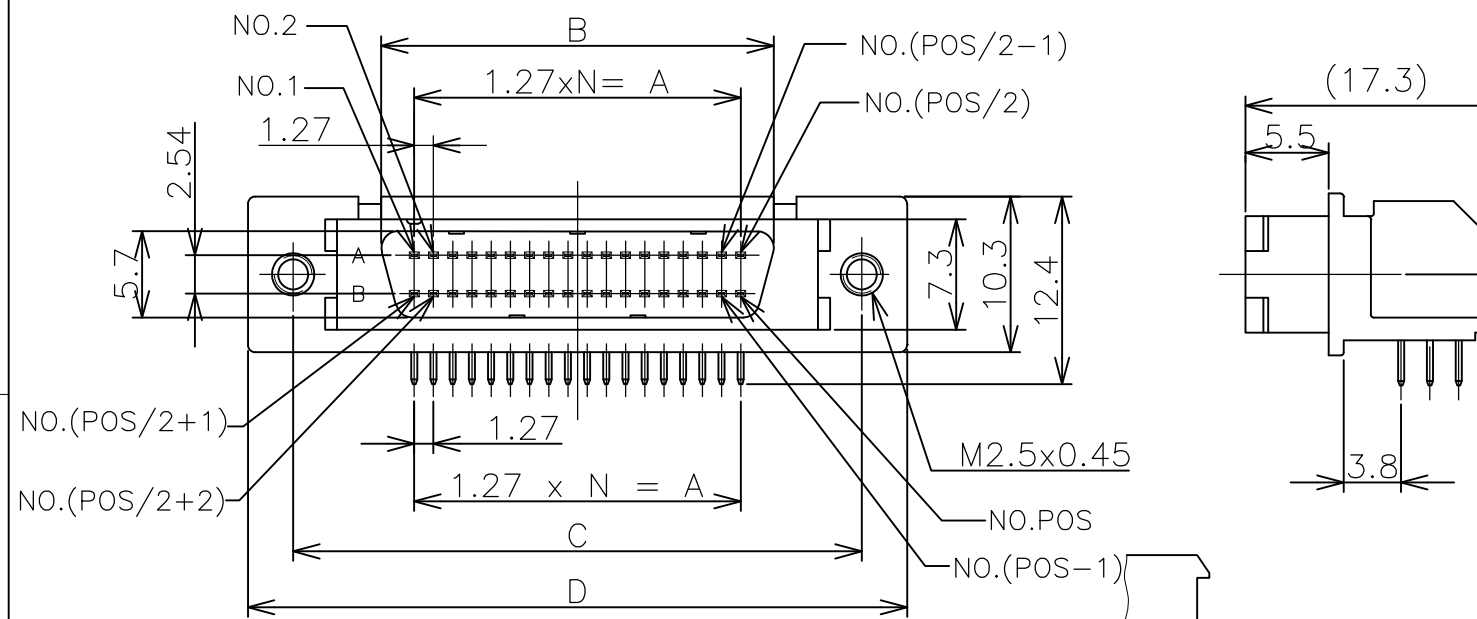
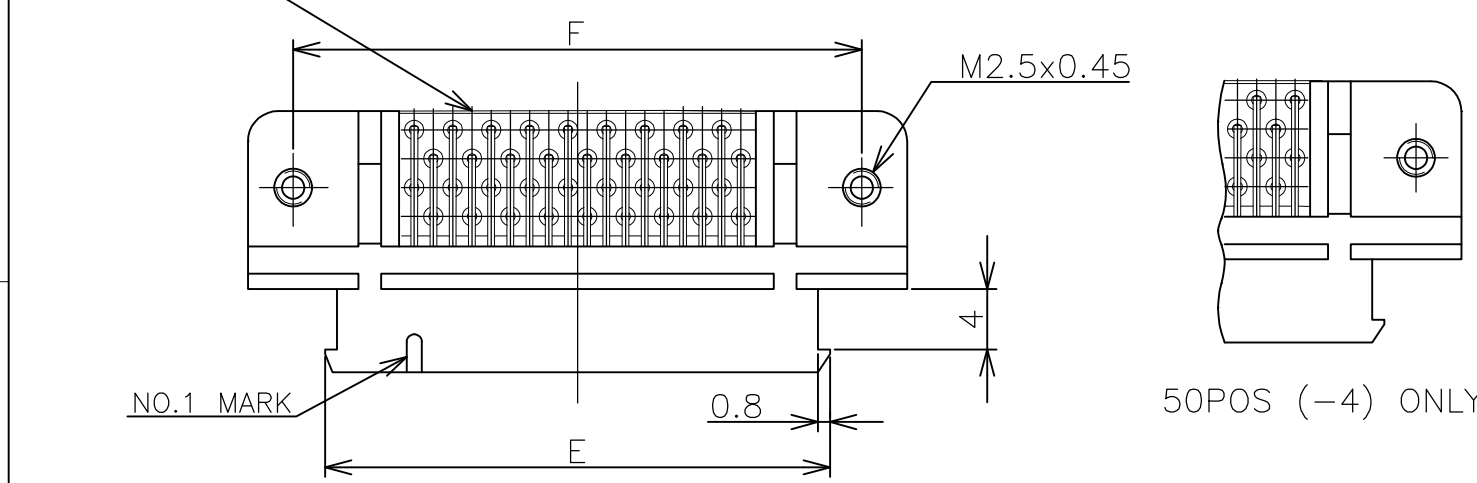


(SCALE 4:1)



TOP OF POST (SOLDER SIDE)  
 (SCALE 20:1)

LEAD FREE



BOTTOM VIEW OF MOUNT

OBS	96	47	59.69	64.06	75.7	81.7	71.49	75.7	0.00076 MIN	2-5174225-6
	68	33	41.91	46.28	57.9	63.9	53.71	57.9		2-5174225-5
	50	24	30.48	34.85	46.5	52.5	42.28	46.5		2-5174225-4
△3	36	17	21.59	25.96	37.6	43.6	33.39	37.6	0.0002 MIN	2-5174225-3
	96	47	59.69	64.06	75.7	81.7	71.49	75.7		5174225-6
	68	33	41.91	46.28	57.9	63.9	53.71	57.9		5174225-5
	50	24	30.48	34.85	46.5	52.5	42.28	46.5		5174225-4
	36	17	21.59	25.96	37.6	43.6	33.39	37.6		5174225-3
△3	28	13	16.51	20.88	32.5	38.5	28.31	32.5		5174225-2
△3	20	9	11.43	15.8	27.4	33.4	23.23	27.4		5174225-1
	POS	N	A	B	C	D	E	F	GOLD THK	PART NUMBER

- 1 P.C BOARD HOLE LAY-OUT AS SHOWN FIG. 1
- 2 USE SCREW SIZE ; M2.5 PAN-HEAD SCREW

△3 OBSOLETE PARTS: OBSOLETE CIS STREAMLINING PER D.RENAUD/D.SINISI

THIS DRAWING IS A CONTROLLED DOCUMENT.

DWN Roy Hao 17Aug04  
 CHK Steven Yao 17Aug04  
 APVD I.Enomoto 17Aug04

STE TE Connectivity

NAME: POST HEADER (HORIZONTAL M2.5)  
 AMPLIMITE .050 SERIES 2  
 TYPE B

108-60037-1

APPLICATION SPEC

SIZE: A3 CAGE CODE: 00779 DRAWING NO: C-5174225 RESTRICTED TO: [ ]

SCALE: 2:1 SHEET: 1 OF 1 REV: C1

CUSTOMER DRAWING